



# FOOD WARMER

SERVING THE FOOD INDUSTRY SINCE 1951

## COUNTERTOP FOOD WARMER WITH SPOUT AND PUMP 3.5 QT. CAPACITY

Item: 44311

Model: FW-CN-0004-S

Your favourite toppings at the perfect temperature!



Omcan's countertop stainless steel food warmer is perfect for snack bars, concession stands, cafeterias, buffet lines, and a wide variety of other applications. This compact product features an adjustable thermostat, excellent for cheese, fudge, caramel, and gravy! Serve your favourite toppings at the perfect temperature any time of day!



**WARRANTY**  
PARTS AND LABOR



NEMA  
5 - 15  
125 VAC / 15 AMP



Authorized Dealer

# FOOD WARMER

COUNTERTOP FOOD WARMER WITH SPOUT AND PUMP

3.5 QT. Capacity

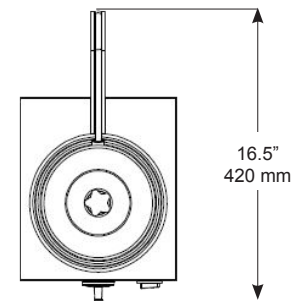
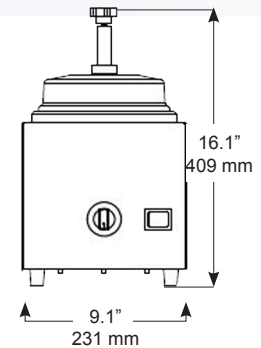


## Features:

- Stainless steel interior and exterior fitting a 3.5 QT inner pot sold separately
- The temperature control has 6 settings to provide you with heat flexibility, maximum heat is 95° C / 203° F
- Manually wash product for thorough cleaning
- Heated spout ensures product remains hot from start to finish
- Ergonomic pump provides easy dispensing and portion control, delivering same amount of product with a ladle!
- 500 Watts provides quick and easy heating
- 4.2 amp heater requires a 120 V electrical connection which comes ready to use with a durable power chord

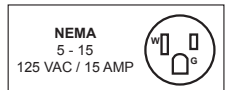
## TECHNICAL SPECIFICATION

ITEM NUMBER	44311
MODEL	FW-CN-0004-S
DESCRIPTION	Countertop stainless steel food warmer with spout and pump
CAPACITY	3.5 QT / 3.3 L
POWER	550 W
ELECTRICAL	120 V / 60 Hz / 1 Ph
WEIGHT	8.15 lbs.
PACKAGING WEIGHT	10.14 lbs.
DIMENSIONS (WDH)	9.1" x 16.5" x 16.1" / 231 mm x 420 mm x 409 mm
PACKAGING DIMENSIONS	11.8" x 19.29" x 15.4" / 300 mm x 490 mm x 391 mm



## OPTIONAL ITEM (Item sold separately)

ITEM NUMBER	68744
DESCRIPTION	Inner pot for items 44311 and 44312 Food Warmers



## OMCAN INC.

Telephone: 1-800-465-0234  
 Fax: (905) 607-0234  
 Email: sales@omcan.com  
 Website: www.omcan.com



Follow us to keep up to date with the latest news and offers



2017E&OE